

High temperature accelerometer

HT786A-KCF

SPECIFICATIONS

Sensitivity, ±5%, 25°C		100 mV/g	
Acceleration range, VDC > 25 V		80 g peak	
Amplitude nonlinearity		1%	
Frequency response:	±5%	3 - 5,000 Hz	
	±10%	1 - 9,000 Hz	
	±3 dB	0.5 - 14,000 Hz	
Resonance frequency, nominal		30 kHz	
Transverse sensitivity, max		5% of axial	
Temperature response:	-25°C	-10%	
	+150°C	+15%	
Power requirement:			
Voltage source		18 - 30 VDC	
Current regulating diode		2 - 10 mA	
Electrical noise, equiv. g:	25°C		
	150°C		
	Broadband 2.5 Hz to 25 kHz	700 µg	1,100 µg
	Spectral 10 Hz	10 µg/√Hz	14 µg/√Hz
	100 Hz	5 µg/√Hz	7 µg/√Hz
1,000 Hz	5 µg/√Hz	7 µg/√Hz	
Output impedance, max		100 Ω	
Bias output voltage:	+25°C	13 VDC	
	+150°C	12 VDC	
Grounding		case isolated, internally shielded	
Temperature range¹		-50° to +165°C	
Vibration limit		500 g peak	
Shock limit		5,000 g peak	
Electromagnetic sensitivity, equiv. g, max		70 µg/gauss	
Sealing		hermetic	
Base strain sensitivity, max		0.0002 g/µstrain	
Sensing element design		PZT, shear	
Weight		90 grams	
Case material		316L stainless steel	
Mounting		1/4-28 UNF tapped hole	
Output connector		2 pin, MIL-C-5015 style	

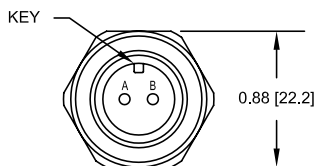
Notes: ¹ Dependent on current supply. BOV, dynamic range and noise may vary.

Accessories supplied: SF6 mounting stud (metric mounting available); calibration data (level 2)

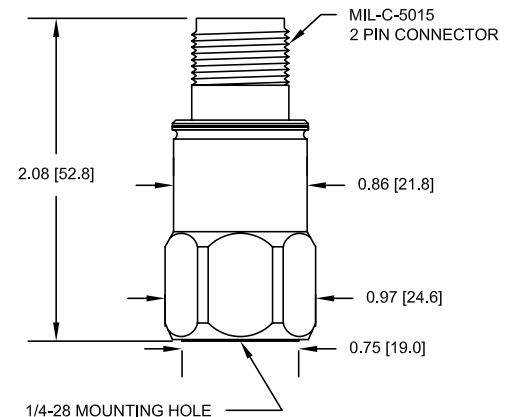


Key features

- Operation in environments up to 165°C
- Built with extended range components for long-lasting operation
- Manufactured in ISO 9001 facility



Connections	
Function	Connector pin
power/signal	A
common	B
ground	shell



Note: Due to continuous process improvement, specifications are subject to change without notice. This document is cleared for public release.